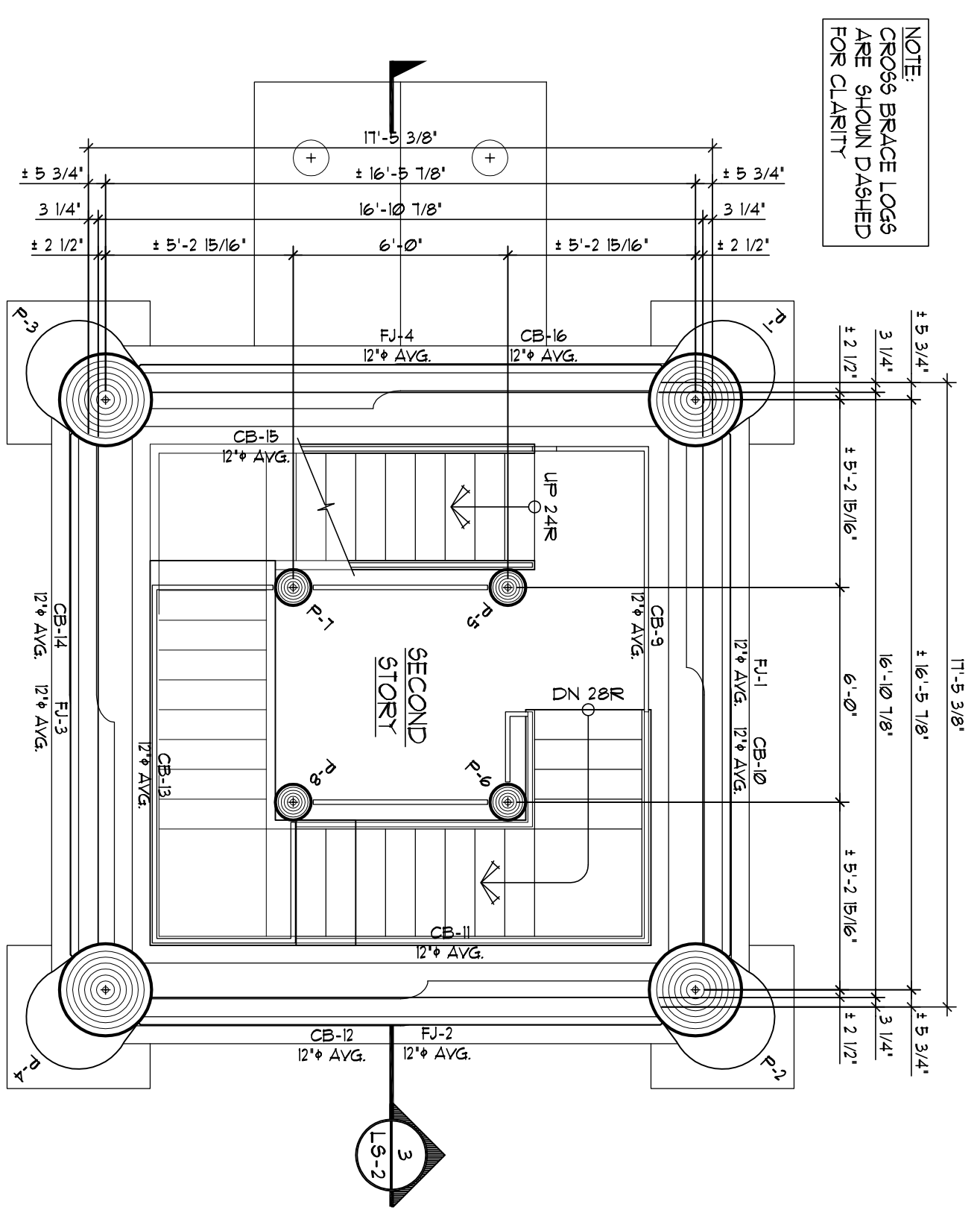
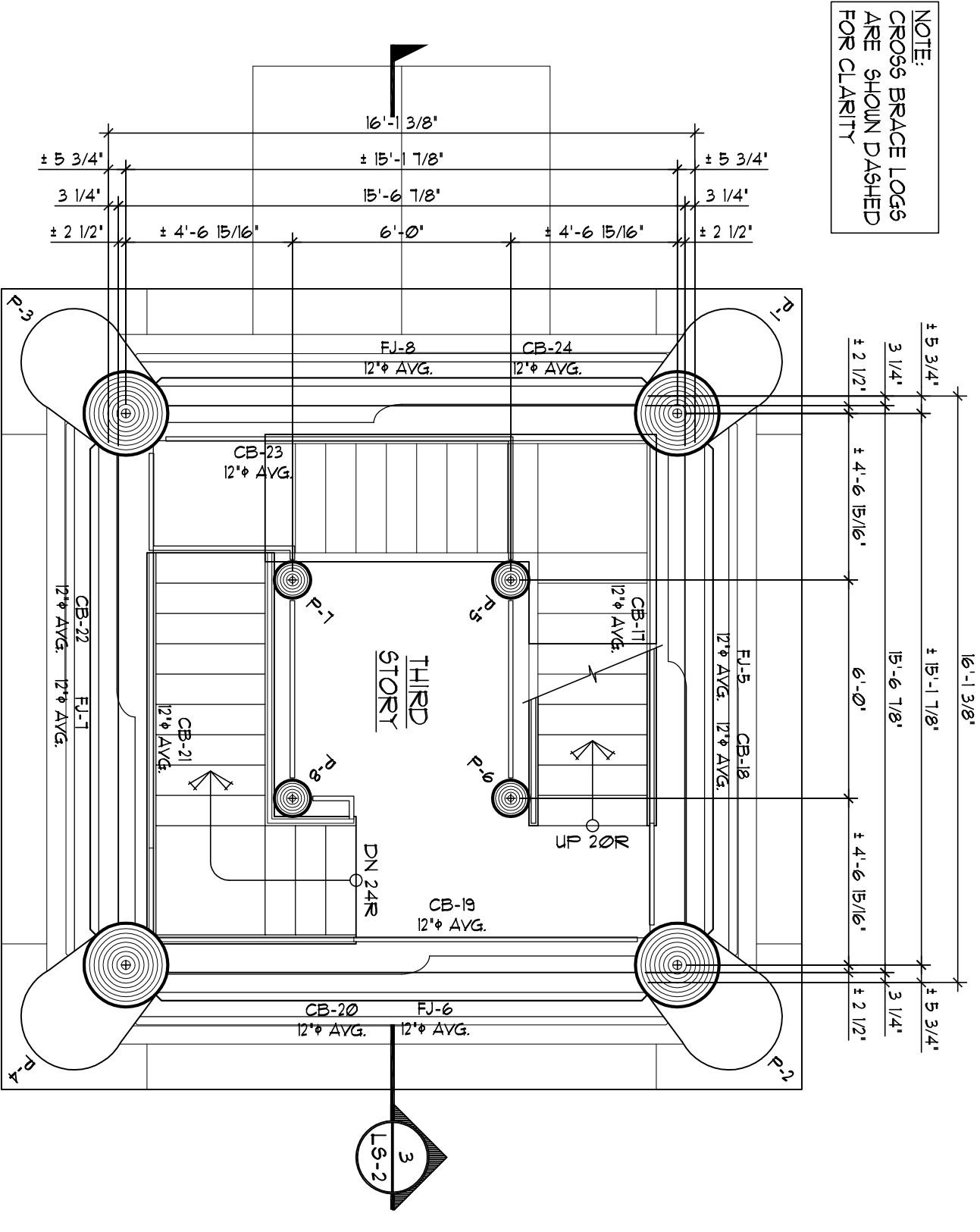


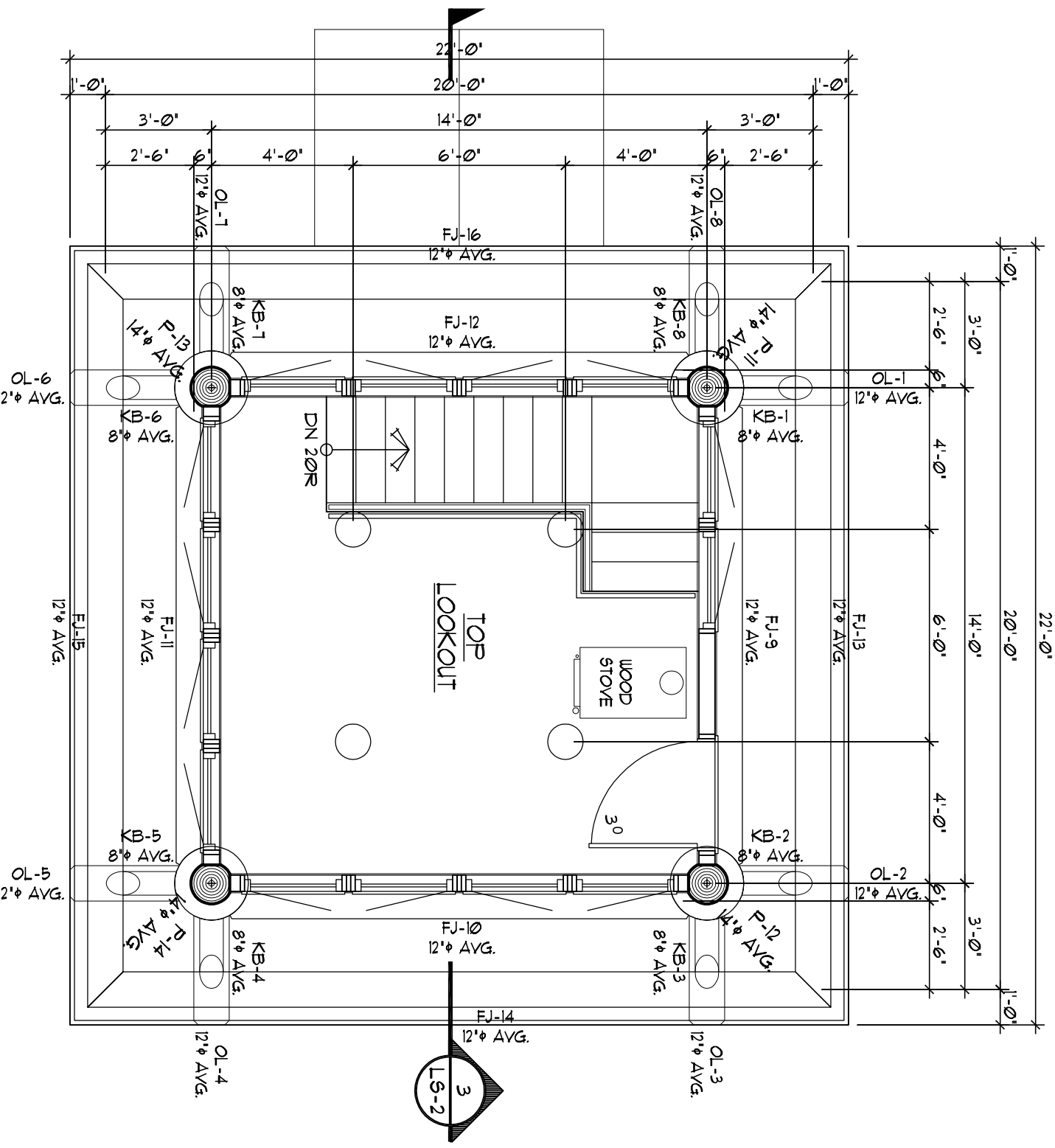
1 BASE PLATFORM PLAN  
SCALE: 1/4" = 1'-0"



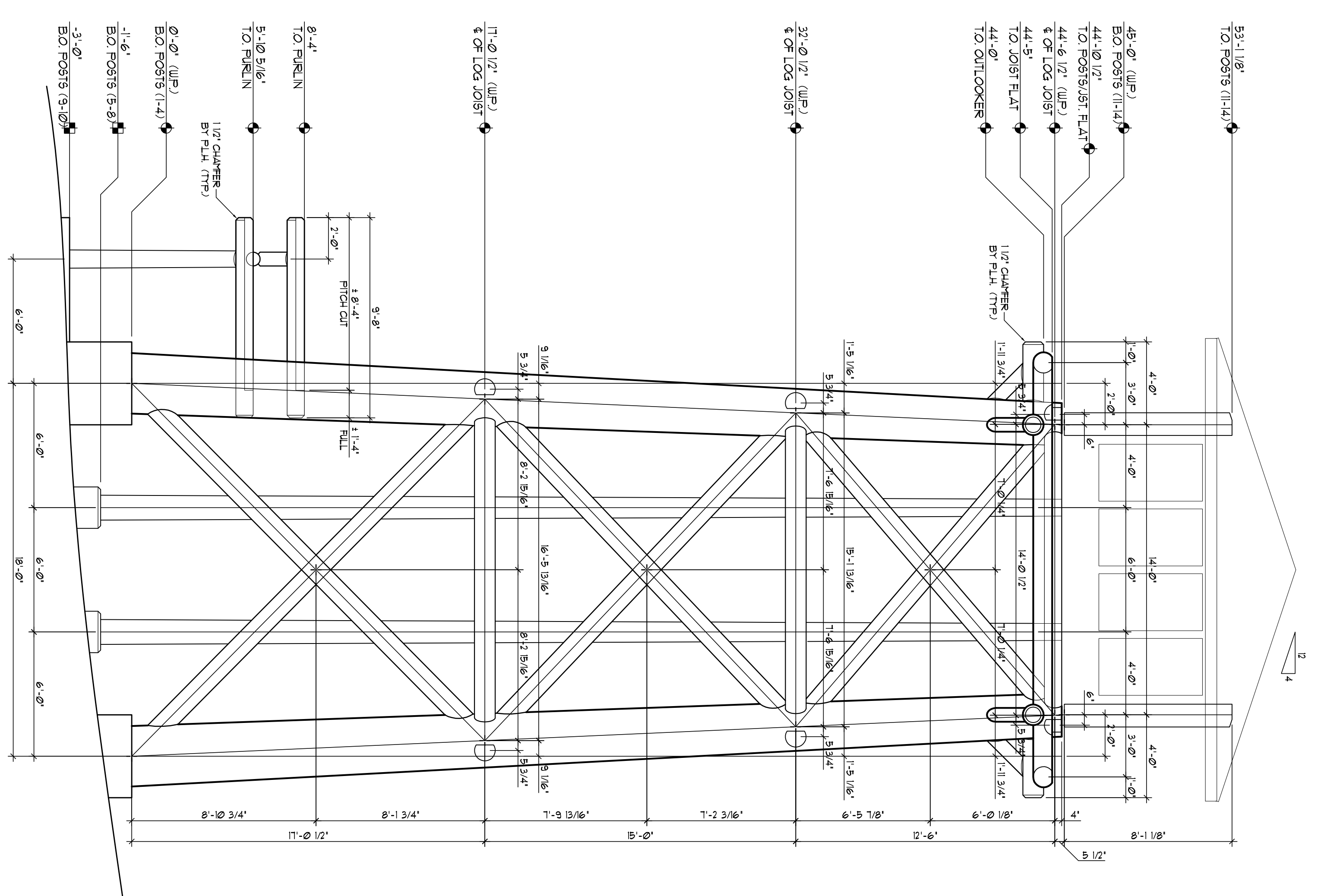
2 SECOND STORY PLAN  
SCALE: 1/4" = 1'-0"



3 THIRD STORY PLAN  
SCALE: 1/4" = 1'-0"



4 TOP LOOKOUT PLAN  
SCALE: 1/4" = 1'-0"



5 LOG WORK POINTS  
SCALE: 1/4" = 1'-0"

NOTE:  
CROSS BRACE LOGS  
ARE SHOWN DASHED  
FOR CLARITY

NOTE:  
CROSS BRACE LOGS  
ARE SHOWN DASHED  
FOR CLARITY

THIS PLAN AND THE SEAL AND DESIGN CONTAINED HEREIN ARE THE SOLE PROPERTY OF SPUR DESIGN. ANY REPRODUCTION OR TRANSMISSION OF THIS PLAN OR DESIGN WITHOUT THE WRITTEN PERMISSION OF SPUR DESIGN IS ILLEGAL AND A VIOLATION OF APPLICABLE LAWS AND REGULATIONS. © Copyright 2009 SPUR

**SPUR DESIGN**  
P.O. BOX 429 KREMMLING, CO 80459  
PHONE (970) 724-0384  
FAX (970) 724-0367  
SPURASSOCIATES.COM

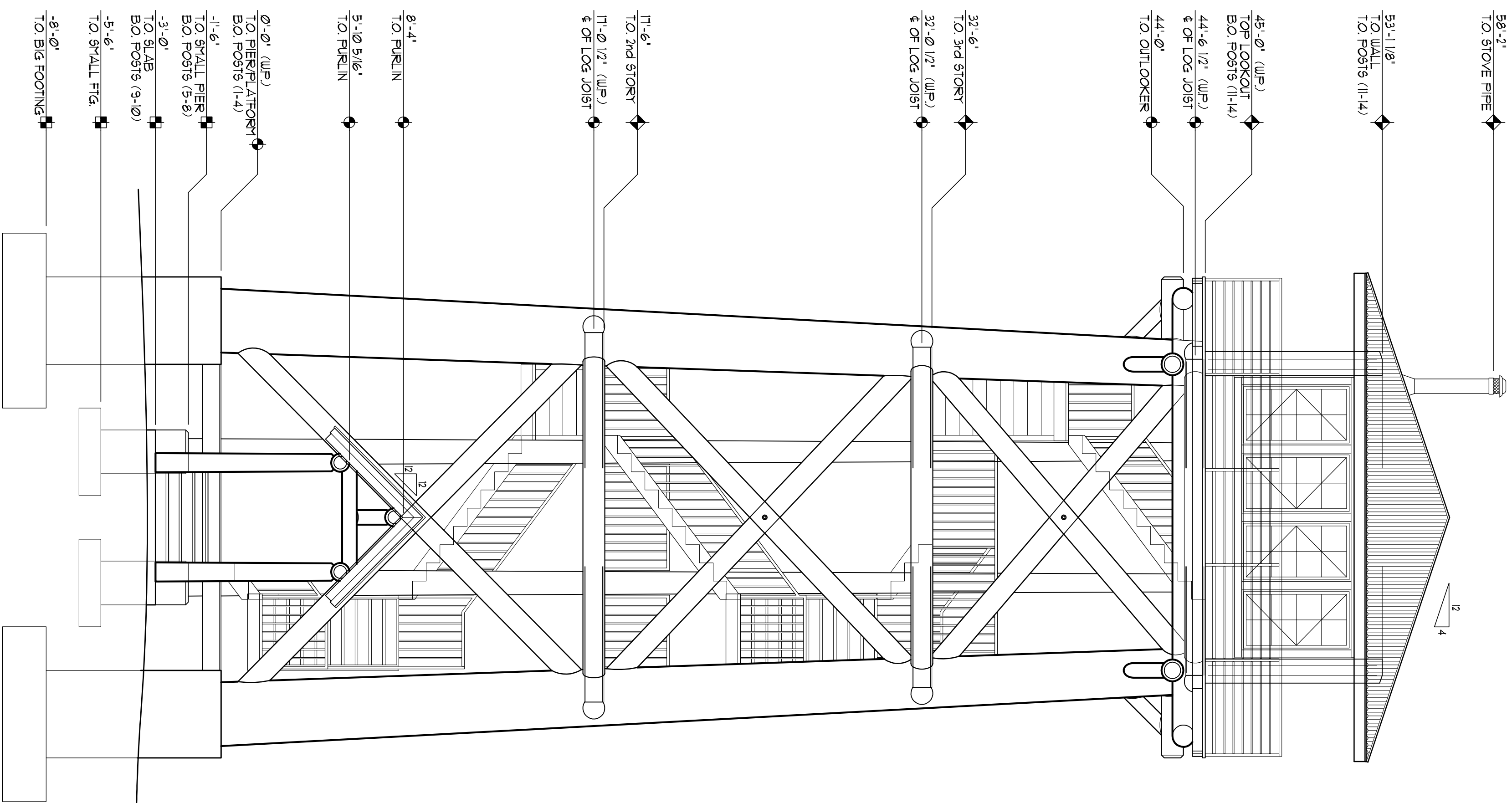
**PIONEER LOG HOMES**  
1344 HWY 93 NORTH  
VICTOR, MONTANA 59875  
PHONE: (406)961-3273 \* FAX: (406)961-5647  
PIONEER-LOGHOMES.COM

**LOOKOUT TOWER**  
BRITISH COLUMBIA

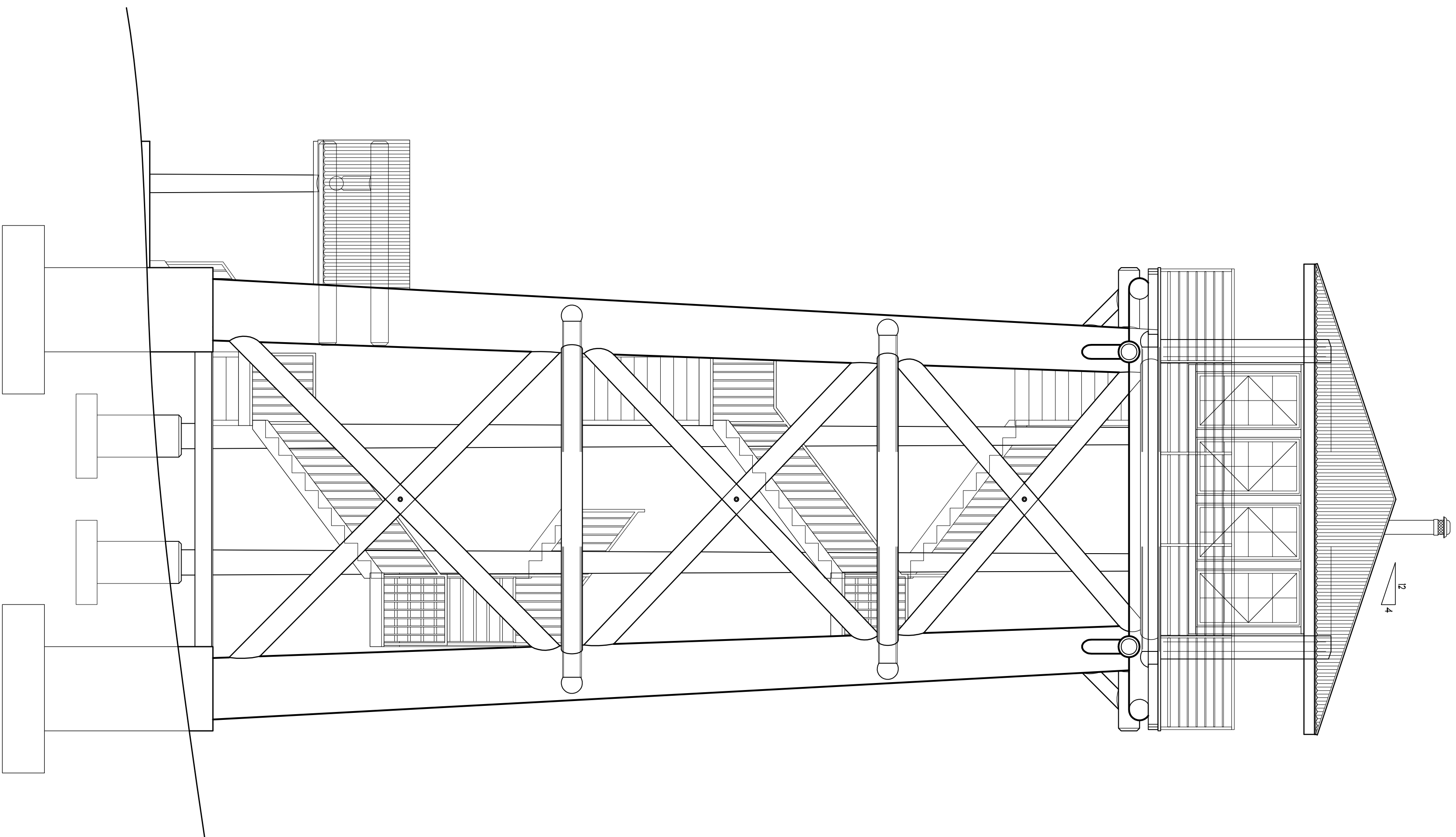
JOB NO.  
0538

ISSUED  
DATE BY FOR  
15-07 JN CLIENT REVIEW

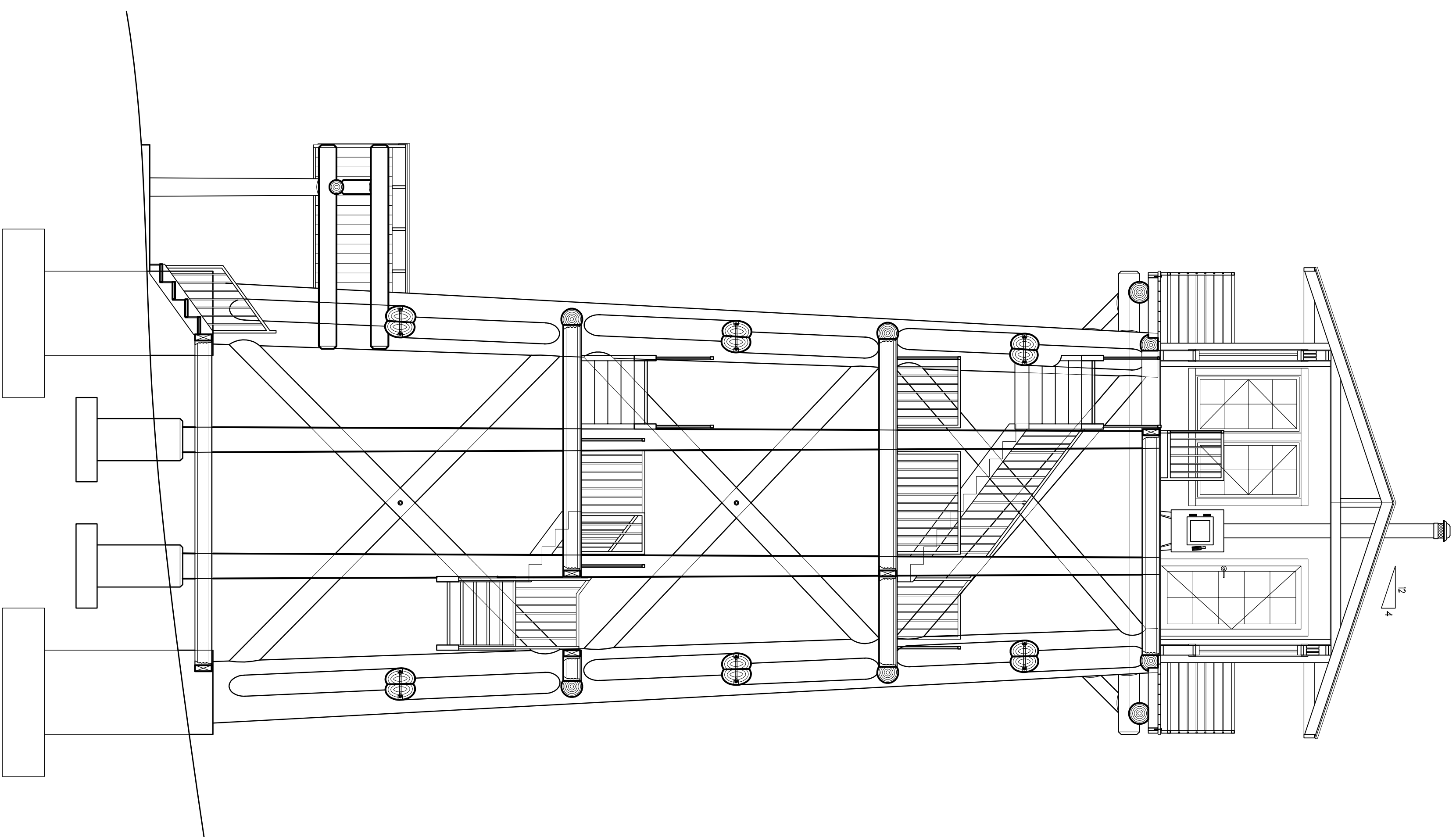
SHEET  
15-1  
OF  
2



1 FRONT ELEVATION  
SCALE: 1/4" = 1'-0"



2 RIGHT ELEVATION  
SCALE: 1/4" = 1'-0"



3 BUILDING SECTION  
SCALE: 1/4" = 1'-0"

THESE PLANS AND THE SEALS AND DESIGN CONTAINED HEREIN ARE THE SOLE PROPERTY OF SPUR DESIGN. ANY REPRODUCTION OR TRANSMISSION OF THESE PLANS OR DESIGN WITHOUT THE WRITTEN PERMISSION OF SPUR DESIGN IS ILLEGAL AND A VIOLATION OF APPLICABLE LAWS. © Copyright 2009 S.D.

SHEET  
OF 2

|        |                  |
|--------|------------------|
| ISSUED | DATE BY FOR      |
| 1-5-07 | JJ CLIENT REVIEW |

JOB NO.  
0538

# LOOKOUT TOWER

BRITISH COLOMBIA

**PIONEER LOG HOMES**  
1344 HWY 93 NORTH  
VICTOR, MONTANA 59875  
PHONE: (406)961-3273 \* FAX: (406)961-5647  
PIONEER-LOGHOMES.COM



**SPUR DESIGN**  
P.O. BOX 429 KREMMLING, CO 80459  
PHONE (970) 724-0384  
FAX (970) 724-0367  
SPURASSOCIATES.COM

